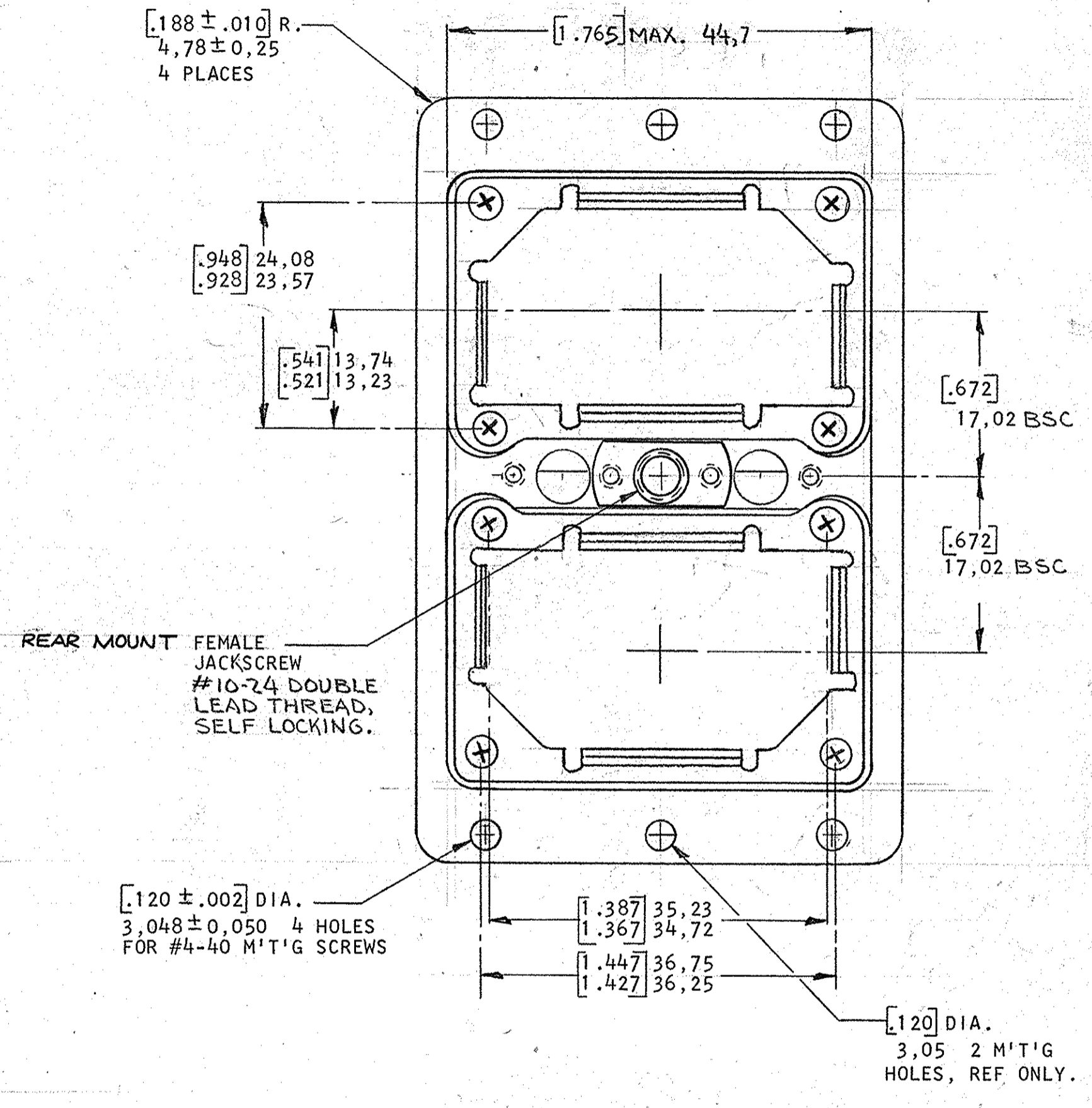
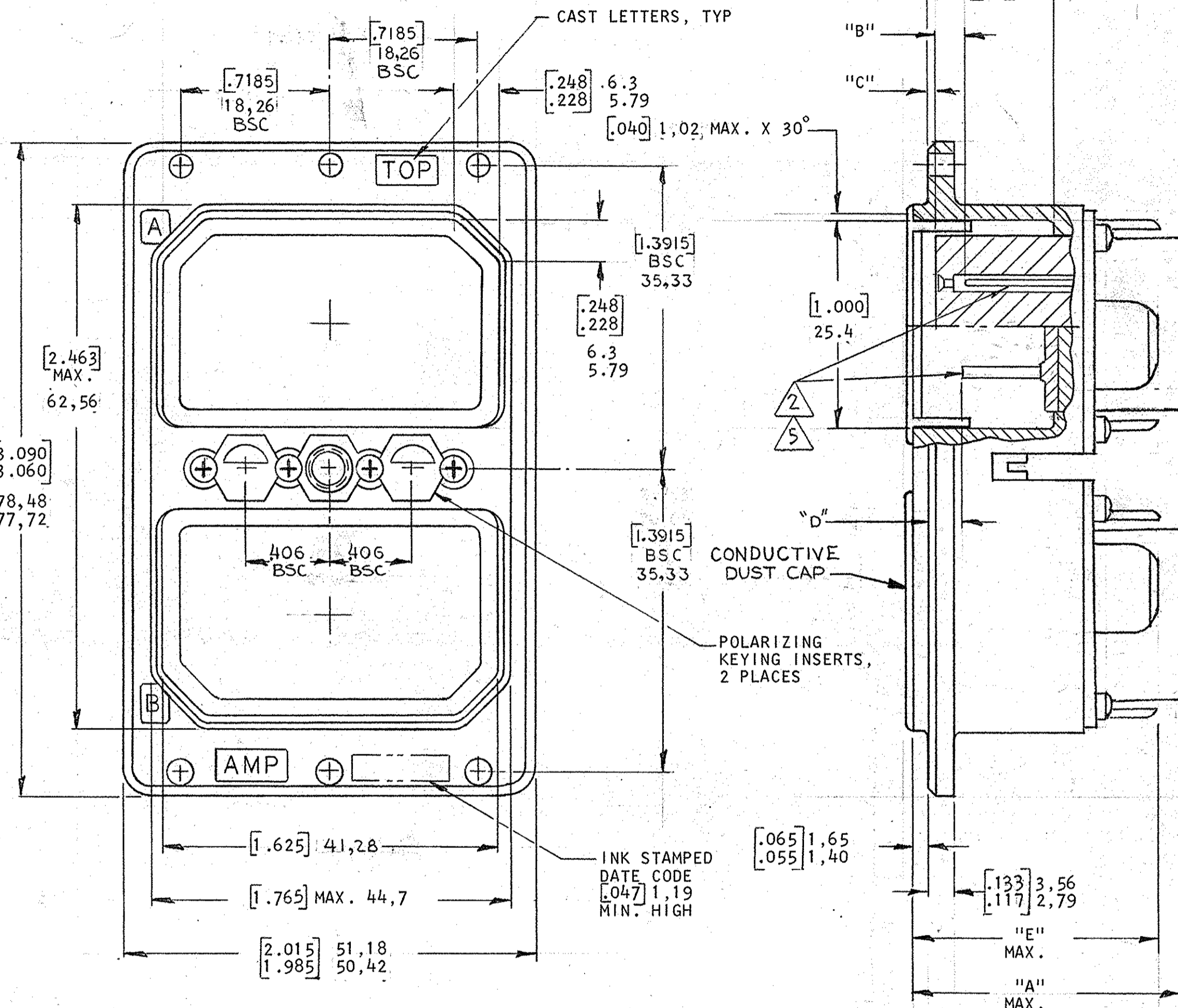
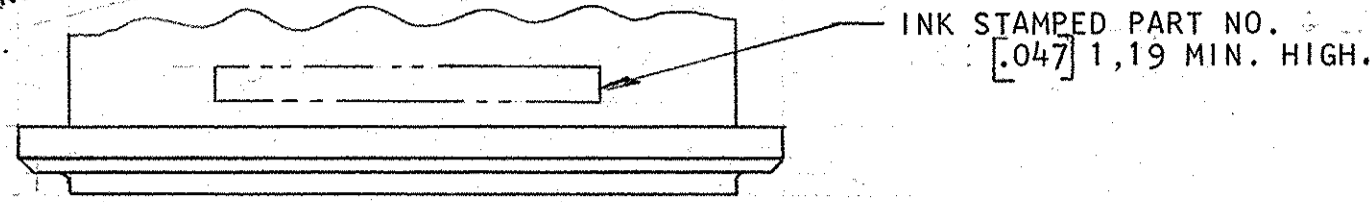


© COPYRIGHT 1977 BY AMP INCORPORATED, HARRISBURG, PA.  
 ALL INTERNATIONAL RIGHTS RESERVED. AMP INCORPORATED PRODUCTS COVERED BY U. S. PATENTS AND/OR PATENTS PENDING.

UNPUBLISHED COMMON LAW RIGHTS REPRODUCED OR PUBLISHED WITHOUT WRITTEN PERMISSION OF AMP INCORPORATED.

REVISIONS					
P	F	ZONE	LTR	DESCRIPTION	DATE APPROVED
✓			K	REV. / ECN R-2912	6-28-77 MPH E/H
✓			K1	OBS - 8, -19 PER ECN R-2734 CT	7-28-87 E/H
✓			L	REACTIVATE 1--9 / DF-2179 T.W.	9/4/89 TC
✓			M	REV PER DF4429	8-2-91 E/H
			N	REV PER 0H14-0208-0A	9/05 AA/DE
			P	REV PER 0H14-0229-0A	9/05 AA/DE



- MATERIAL & FINISH  
 SHELL: DIE CAST ALUM. ALLOY PER FED SPEC QQ-A-591, FINISH: ELECTROLESS NICKEL PLATED PER MIL-C-26074, CLASS 1.  
 INSULATOR, HARD: EPOXY PER MIL-M-24325; SOFT: FLUOROSILICONE RUBBER COLOR: BLUE  
 GROMMET PROTECTORS: ALUM. ALLOY, FINISH: BLUE EPOXY.  
 POLARIZING KEYING INSERTS & SCREWS: STAINLESS STEEL.  
 FEMALE JACKSCREW: STAINLESS STEEL.  
 SCREWS & WASHERS: STEEL, FINISH: CAD. PLATED PER QQ-P-416.  
 DUST CAPS: CONDUCTIVE BLACK THERMOPLASTIC  
 CONTACTS SHOWN IN POSITION FOR ILLUSTRATION ONLY, ARE INCLUDED IN A CONTAINER WITHIN CONNECTOR PACKAGE FOR SHIPMENT, EXCEPT P/Ns 1-207595-2 THRU 2-207595-1
- CONNECTOR MEETS AMP PRODUCT SPEC 108-10,019.
- COAX CONTACTS & SEALING BOOTS MUST BE ORDERED SEPARATELY.
- FOR CONTACT SIZE #22, DIMENSION "B" REPRESENTS PIN CONTACTS & DIMENSION "D" REPRESENTS SOCKET CONTACTS.
- ALL INCH DIMENSIONS ARE SHOWN IN PARENTHESIS.
- FOR MATING CONNECTOR SEE 207596.
- CONNECTORS ORDERED LESS CONTACTS WILL BE MARKED WITH SAME P/N AS CONNECTORS ORDERED WITH CONTACTS.

UNLESS OTHERWISE SPECIFIED DIMENSIONS ARE IN INCHES. TOLERANCES ON: DECIMALS ±.005 (0.13) ANGLES	CONTRACT NO	AMP INCORPORATED Harrisburg, Pa.
	DR <i>AKM</i> 11/23/77	
MATERIAL	CHK <i>DR</i> 11-23-77	NAME
SEE CALLOUTS	APPD <i>DR</i> 11-23-77	RECEPTACLE CONN. INSTALLATION
FINISH	APPD <i>A.K. Miller</i> 11-23-77	(WITH CENTER FEMALE JACKSCREW)
SEE CALLOUTS	DSGN APPD	SIZE CODE IDENT NO DRAWING NO
	OTHER APPD	C 00779 207595
		SCALE 1:1 SHEET 1 OF 2

CUST# 207595

© COPYRIGHT 1977 BY AMP INCORPORATED, HARRISBURG, PA.  
 ALL INTERNATIONAL RIGHTS RESERVED. AMP INCORPORATED PRODUCTS  
 COVERED BY U. S. AND FOREIGN PATENTS AND/OR PATENTS PENDING.

UNPUBLISHED COPY NOT TO BE  
 REPRODUCED NOR PUBLISHED  
 WITHOUT WRITTEN PERMISSION  
 OF AMP INCORPORATED.

REVISIONS						
P	F	ZONE	LTR	DESCRIPTION	DATE	APPROVED
✓	✓		P	SEE SHT 1		

'B' Δ				'C'				'D' Δ			
22	20	16	12	22	20	16	12	22	20	16	12
6.04	4.32	5.21	5.21	4.45	2.06	2.06	2.06	6.35	8.79	4.19	4.19
4.88	2.92	3.71	3.71	3.48	1.22	1.22	1.22	5.21	6.12	2.64	2.64
[.238]	[.170]	[.205]	[.205]	[.175]	[.081]	[.081]	[.081]	[.250]	[.346]	[.165]	[.165]
[.192]	[.115]	[.148]	[.148]	[.137]	[.048]	[.048]	[.048]	[.205]	[.241]	[.104]	[.104]

	INSERT ARRANGEMENT													
	C2	C3	8	C8	D8	26	32C2	33C4	40	40C1	45	.57	67	106
"A" MAX.	27.33 [.076]	27.33 [.076]	38.74 [1.525]	38.40 [1.512]	38.74 [1.525]	38.74 [1.525]	43.18 [1.700]	43.18 [1.700]	37.44 [1.474]	43.18 [1.700]	38.74 [1.525]	38.74 [1.525]	38.74 [1.525]	32.49 [1.279]
"E" MAX.	27.33 [.076]	27.33 [.076]	36.83 [1.450]	27.33 [1.076]	36.83 [1.450]	36.83 [1.450]	36.83 [1.450]	36.83 [1.450]	36.83 [1.450]	36.83 [1.450]	36.83 [1.450]	36.83 [1.450]	36.83 [1.450]	31.24 [1.230]

PART No.	ARRANGEMENT		PART NO. (LESS CONTACTS) Δ
	MODULE A	MODULE B	
207595-1	106P	67S	1-207595-2
207595-2	106P	26S	1-207595-3
207595-3	106P	106P	1-207595-4
<del>207595-4</del>	<del>106P</del>	<del>106S</del>	<del>1-207595-5</del>
207595-5	106S	106S	1-207595-6
207595-6	106S	26P	<del>1-207595-7</del>
207595-7	106S	67P	<del>1-207595-8</del>
<del>207595-8</del>	<del>67S</del>	<del>67S</del>	<del>1-207595-9</del>
207595-9	106S	32C2P	<del>1-207595-10</del>
1-207595-0	106P	32C2S	2-207595-1
1-207595-1	NO INSERT	NO INSERT	

UNLESS OTHERWISE SPECIFIED DIMENSIONS ARE IN INCHES. TOLERANCES ON: DECIMALS ± ANGLES ±		CONTRACT NO.	AMP INCORPORATED Harrisburg, Pa.	
MATERIAL #		DR <i>Dick</i> 11/23/77	NAME	
FINISH #		CHK <i>DR</i> 11-23-77	RECEPTACLE CONN. INSTALLATION (WITH CENTER FEMALE JACKSCREW)	
		APPD <i>Drumley</i> 11-23-77	SIZE	CODE IDENT NO
		APPD <i>A.K. Miller</i> 11-23-77	C	00779
		DSGN APPD	DRAWING NO	
		OTHER APPD	207595	
			SCALE	SHEET 2 OF 2
			#	

CUST # 207595